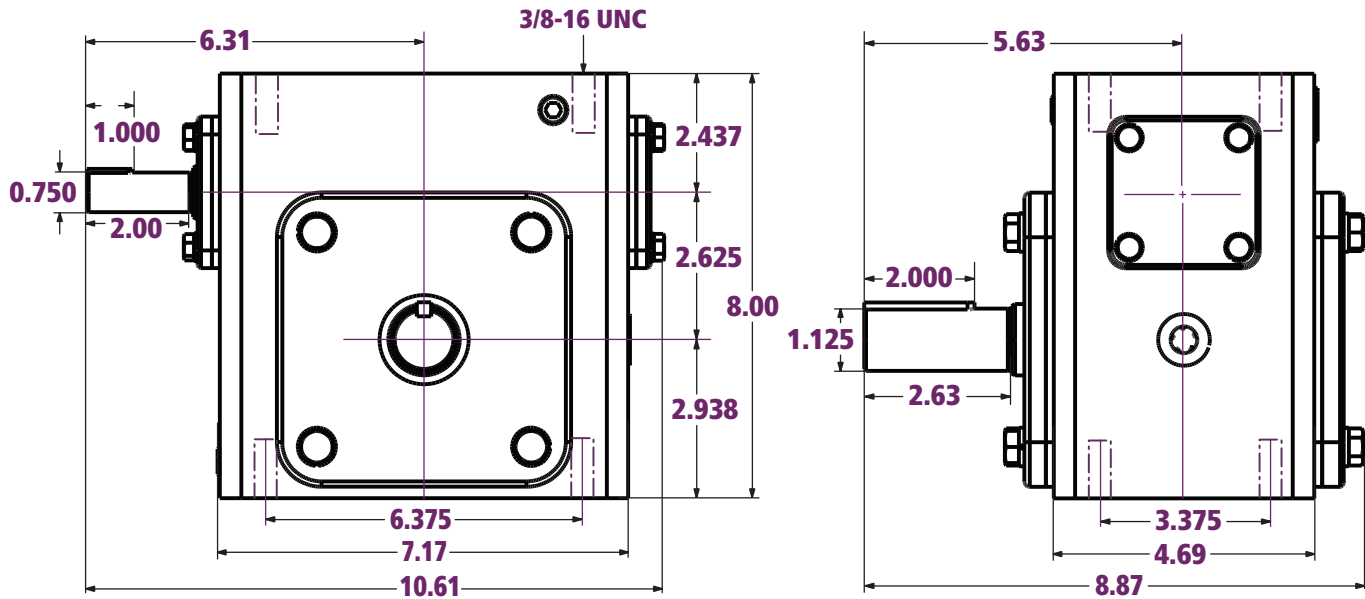




XS262 Dimensions

All dimensions listed in inches



Output and Input Shafts (in)

Output Keyway (in)	Output Shaft Dia. (in)	Input Keyway (in)	Input Shaft Dia. (in)
1/4 x 1/8	1.125	3/16 x 3/32	0.750

Ratios

Nominal Ratios	Exact Ratios
5:1	5.3:1
10:1	10.7:1
15:1	15.5:1
20:1	19.5:1
30:1	30.0:1
40:1	40.0:1
50:1	50.0:1
60:1	60.0:1

Efficiency

Nominal Ratios	Efficiency (%)
5:1	≈ 93
10:1	≈ 90
15:1	≈ 87
20:1	≈ 83
30:1	≈ 76
40:1	≈ 72
50:1	≈ 67
60:1	≈ 66

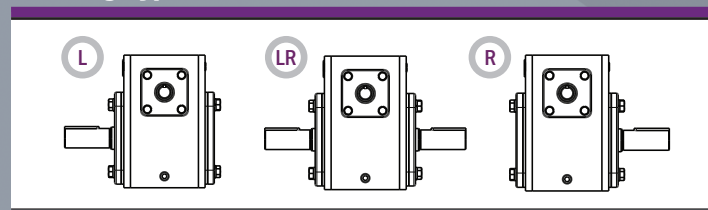
Specifications

Center Distance (in)	Weight (lbs)	Est. Oil Fill Amount* (oz)
2.625	47.3 [48.4 [†]]	33.8

*For Position 1.

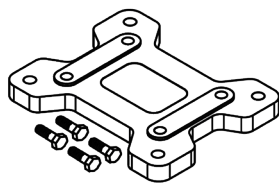
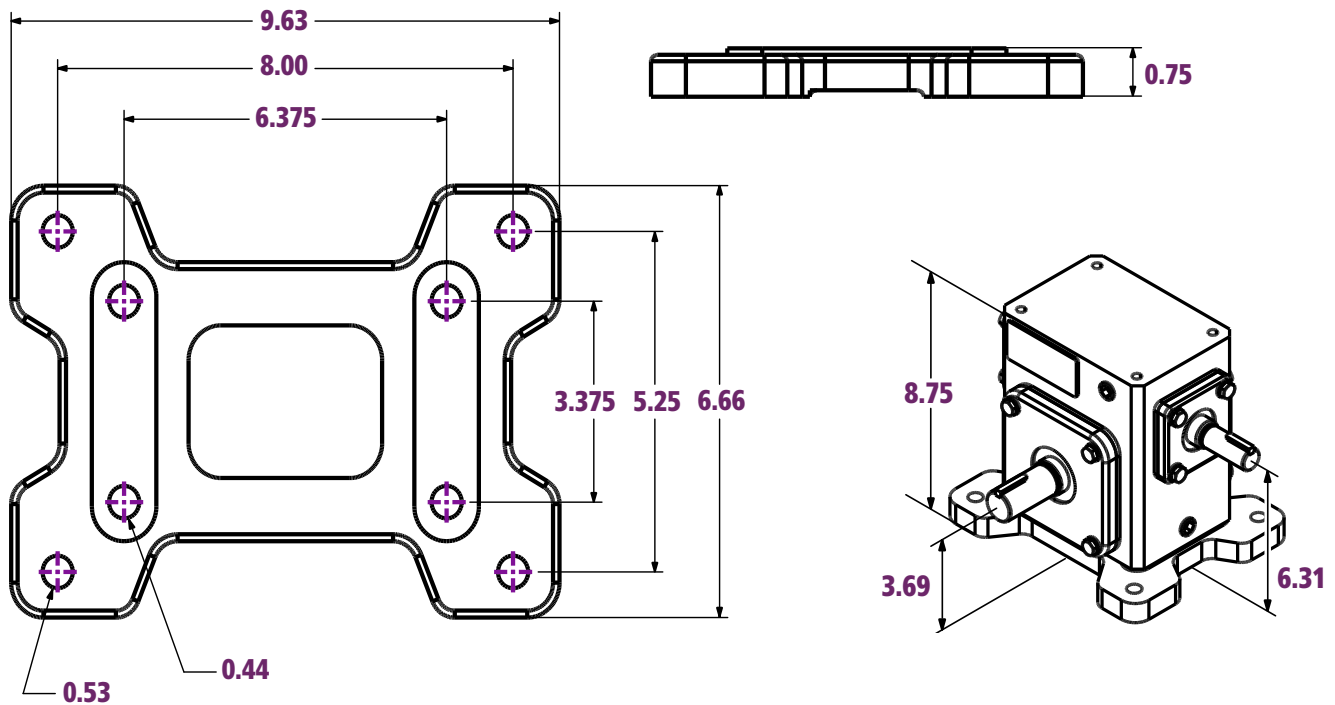
[†]Approximate weight for LR Handling.

Handling Types



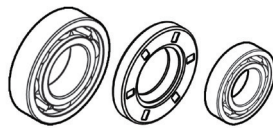
XS262 Accessories

and X262 Base Kit Dimensions



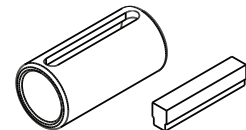
Foot Mounted Base Kit

XBK262



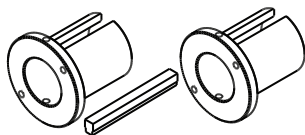
Component Repair Kit

XSRK262



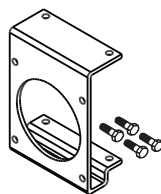
Input Quill Adapter Option

Not Applicable



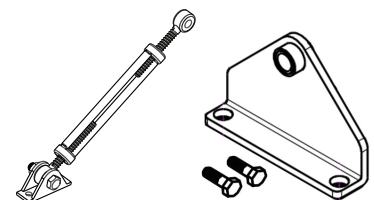
Output Bushing Kits*

Not Applicable



Output Bracket Kit*

XOB262



Torque Arm Kit*

XTA262

*Made to order.